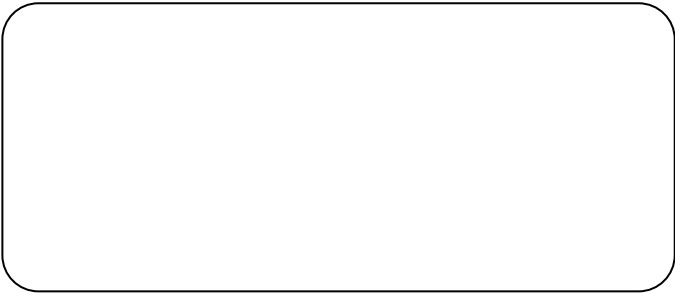


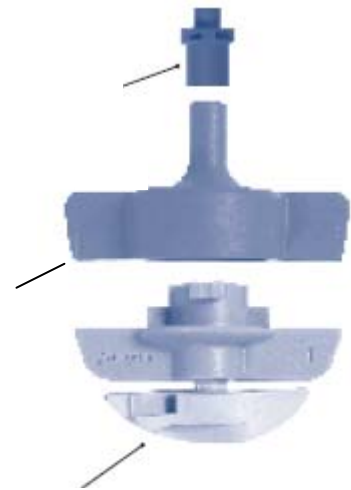
SpinNet

-
-
-
-
-
-

2



SD



SD

MICRO EMITTERS



JAPAN

0511

TEL:0438-63-9381 FAX:0438-63-9383

2.5bar

180cm FT:

HT:

						CU*		
			(m)	(m)	(m)	(%)	(mm/h)	(%)
FT	70		3.00	3.50		91	6.40	
HT	70		2.30	5.00		93	4.90	
FT	90		3.10	4.00		92	6.80	
HT	90		2.50	5.00		95	5.90	
FT	120		2.60	4.50		94	9.40	
HT	120		2.50	5.50		95	7.00	
FT	160		4.00	4.50		92	8.90	
HT	160		3.00	5.80		93	8.40	
FT	200		2.50	5.00		91	15.70	
HT	200		5.00	5.00		91	6.60	
HT	SD160/90	1	0.90		6.40	96	14.60	90
HT	SD120/70	1	1.00		7.50	90	7.10	68
HT	SD120/70	1	1.20		8.00	91	7.60	92
FT	SD200/120	2	1.00	5.50	9.00	93	23.30	86
FT	SD200/90	2	1.00	5.80	10.00	93	17.70	90
HT	SD160/90	2	1.00	7.20	12.00	95	13.30	85
HT	SD160/90	2	1.40	7.40	14.00	93	9.30	97

2.0-3.0bar 120

				∅	∅		∅	
				()	()		()	
		bar	(L/)	(mm)	(m)*	(cm)	(m)*	(cm)
70		2.0	62	1.07	6.00	19	7.50	37
		2.5	70					
		3.0	76					
SD120/70		2.0	68	1.29	7.50	20	7.50	24
		2.5	74					
		3.0	79					
90		2.0	81	1.22	7.00	25	8.00	34
		2.5	91					
		3.0	100					
SD160/90		2.0	87	1.50	7.50	15	8.00	20
		2.5	90					
		3.0	100					
SD200/90		2.0	87	1.50	7.00	15	8.00	20
		2.5	94					
		3.0	100					
120		2.0	110	1.44	8.50	25	9.00	41
		2.5	123					
		3.0	135					
SD200/120		2.0	118	1.71	7.50	15	9.00	26
		2.5	128					
		3.0	137					
160		2.0	159	1.76	8.50	18	9.00	28
		2.5	178					
		3.0	195					
200		2.0	180	1.86	9.00	25	10.00	28
		2.5	202					
		3.0	220					

* 2.0bar

180cm